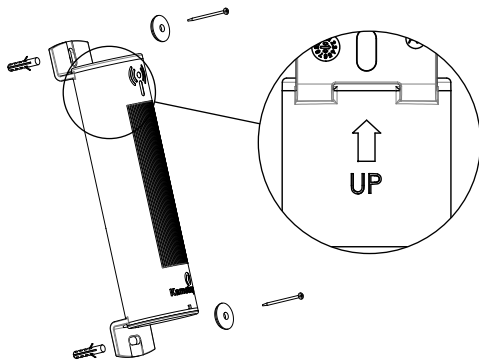


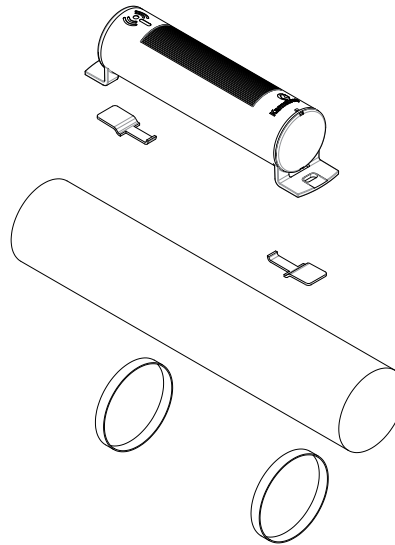
Installation on wall



Order number

Radio Link Repeater:	6697 041
Radio Link Repeat 100:	6697 031
Radio Link Repeat 5:	6697 038

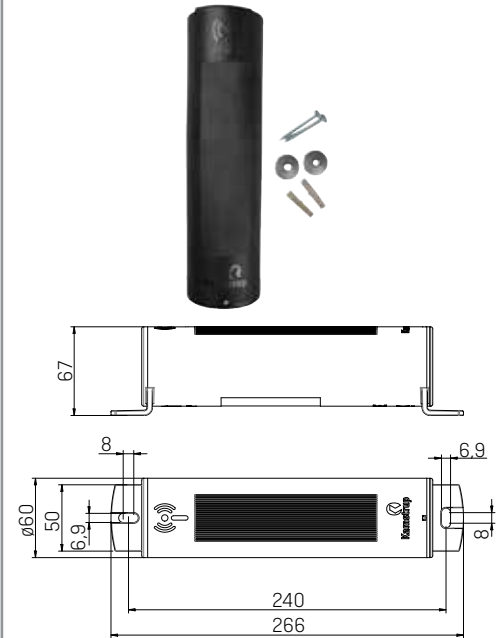
Installation on pipes



Order number

Stainless bracket, mini [x50]	6697 039
Stainless clamps [x100]	6697 046

Dimensions



Mechanical data

Weight:	0.5 kg.
Diameter:	∅60
Protection class:	IP67
Temp. range:	-40°C → +70°C
Brackets:	Stainless steel
Clamps:	Stainless steel

Torque

Typically:	2,5 Nm
Maximum:	4,0 Nm

All dimensions are shown in mm

Technical data

Communication:

- Standard: EN13757-4:2013
- Protocol: C-mode

Transmission:

1-way communication

Transmission interval:

- from meters to repeater: Every 16/96 second
- from repeater to concentrator: Every 16/96 second/ 1 hour (meter data)

Radio Link Repeater:	Every 16 second
Radio Link Repeat 5:	Every 96 second
Radio Link Repeat 100:	Every hour

Frequency:

868, 950 MHz

Battery supply:

2xD-cell batteries

Battery lifetime:

Radio Link Repeater/ Repeat 5:	16 years @ 5 connected meters
Radio Link Repeat 100:	10 years @ up to 100 connected meters

kamstrup

Radio Link Repeater / Repeat 5 / Repeat 100

Installation manual



Radio Link system

